

BIZERBA

■ closer to your business

Tradition and innovation ...

... Validoline GSC 280: High-performance – efficient – safe



Validoline

BIZERBA

Perfect inclined slicer for special demands in kitchens and at counters

The inclined slicer can also be easily operated with heavy products. Its heart consists of a powerful motor with innovative performance concept. The machine does not heat up even if it is strongly used – the energy is engaged there where the machine's power is: at the blade. The depositing area hardly heats up and therefore keeps the product longer fresh.

- High performance in a little space
- Highest energy efficiency due to electronic controlling
- Powerful motor by Bizerba
- Low operating costs due to innovative performance concept
- No power consumption in standby mode
- 40°-Blade inclination for ergonomic slicing with highest precision
- The depositing area remains cool and keeps the sliced product fresh



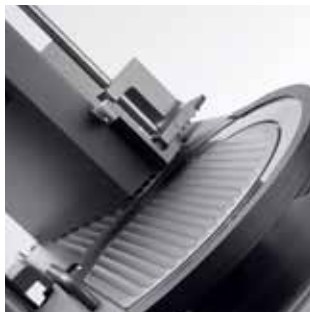
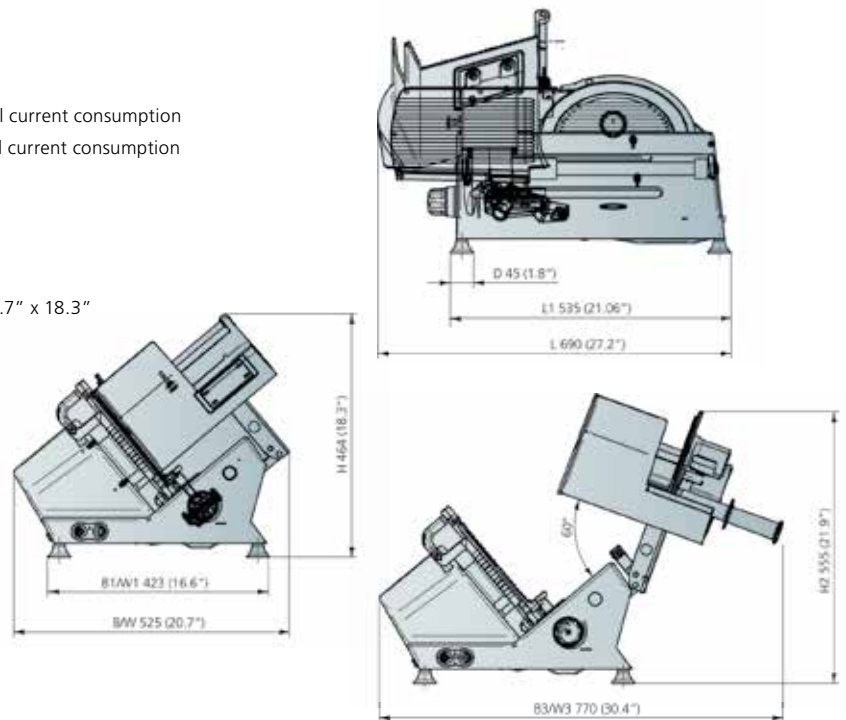
Ceraclean®
The essence of purity ...

- Simple and safe operating
- Easy to clean thanks to Ceraclean® surface finish
- Guided outflow of meat and product juices
- Deflector, remnant holder plate and blade cover are completely removable
- Setting of slice thickness with option to fine resolution
- Removable sharpener for improved safety and hygiene
- Hygienic design through one-part machine housing and completely closed lower machine part
- Innovative swivel mechanism to tilt carriage into cleaning position
- All removable parts can be washed in the dishwasher



Validoline GSC 280 ...

■ Safety class	IP 33
■ Voltage	120 V / 230 V
■ Frequency	60 Hz / 50 Hz
■ Power consumption	200-240 V (50 Hz): 1.1 A nominal current consumption 100-120 V (60 Hz): 2.1 A nominal current consumption
■ Surface finish	Bizerba Ceraclean®
■ Installation surface	
L1 x B1 / L1 x W1	535 x 423 mm / 21.1" x 16.7"
■ Outer dimensions	
L x B x H / L x W x H	690 x 525 x 464 mm / 27.2" x 20.7" x 18.3"
■ Working surface	
L x B3 / L x W3	690 x 770 mm / 21.2" x 30.4"
■ Blade diameter	280 mm / 11.02"
■ Blade rotation speed	240 U/min (230 V / 50 Hz) 240 U/min (120 V / 60 Hz)
■ Carriage inclination	20°
■ Blade position	40° inclination
■ Max. product size	Round: Ø 170 mm / 6.7" Height: 130 mm / 5" Width: 230 mm / 9.1"
■ Setting of slice thickness	Stepless 0 - 20 mm / 0 - 0.8" Fine setting 0 - 3 mm / 0 - 0.12"
■ Weight	29 kg / 63.93 lbs
■ Packaging data	Box (L x B x H) 695 x 610 x 515 mm / 27.36" x 24.02" x 20.28" Total weight approx. 36 kg / 79.7 lbs



Members of the Bizerba Group

Bizerba GmbH & Co. KG
Wilhelm-Kraut-Straße 65
72336 Balingen
Germany
Tel. +49 7433 12-0
Fax +49 7433 12-2696
marketing@bizerba.com
www.bizerba.com

Bizerba UK Limited
2-4 Erica Road
Stacey Bushes
Milton Keynes
Buckinghamshire
MK12 6HS
U.K.
Tel. +44 1908 682740
Fax +44 1908 682777
sales@bizerba.co.uk

Bizerba USA Inc.
31 Gordon Road
Piscataway
New Jersey 08854
USA
Tel. Office +1 732 565-6000
Tel. Service +1 732 565-6001
Fax +1 732 819-0429
us.info@bizerba.com
www.bizerbausa.com

Bizerba Canada Inc.
2810 Argenta Road #9
Mississauga,
Ontario L5N 8L2
Canada
Tel. +1 905 816-0498
Fax +1 905 816-0497
ca.info@bizerba.com
www.bizerba.ca

Bizerba South East Asia
Pte. Ltd.
1 Fifth Avenue #02-05
Guthrie House
Singapore 268802
Singapore
Tel. +65 6465-1900
Fax +65 6468-0481
bizerba@bizerba-sea.com
www.bizerba-sea.com